



43 Franklin St.
East Hartford CT 06108
(860)289-8033 p
(860)289-8035 f

Catalog Cut
Item #: 1105....

GE Lumination

LED Array with Expanded View Signal Modules

8 and 12 inch

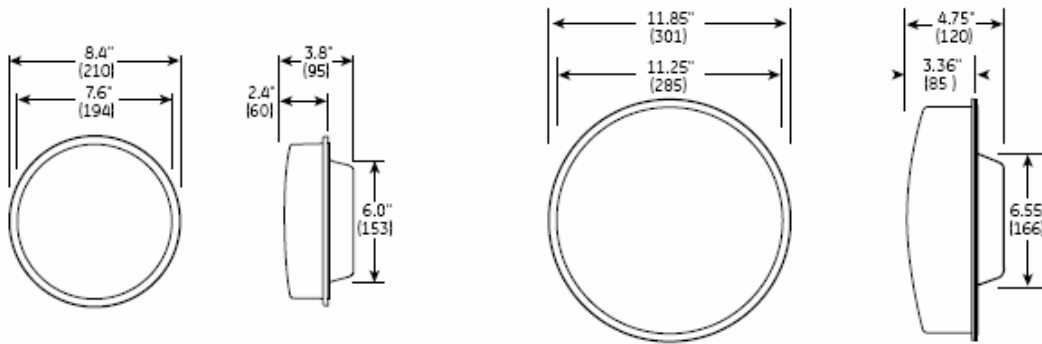


Features, Benefits and Values

- EPACT 2005 compliant
- Pixelated look
- Chromaticity in accordance to ITE VTCSH of June 27th 2005¹
- All products shipped with installed gasket
- High efficiency & long life LED light source
- Failure of single LED results in loss of light from only that LED
- Moisture and dust resistant
- Regulated power supply

LED Array with Expanded View Signal Modules

Mechanical Outline Dimensions in inches. (mm) indicates metric equivalent



Design Compliance

Test Type	Compliance
Chromaticity	ITE VTCSH of June 27, 2005 ¹
Moisture Resistance	NEMA STD 250 Type 4 - 1991
Mechanical Vibration	MIL-STD-883 Method 2007
Electronic Noise	FCC Title 47 Sub. B Sec 15 ²
Transient Voltage Protection	SEC 2.1.8 NEMA TS-2-2003

Operating Specifications

Parameter	Rating
Operating Temperature Range*	-40°C (-40°F) to +74°C (165°F)
Operating Voltage Range	80V to 135V (60Hz AC)
Power Factor (PF)	> 90%
Total Harmonic Distortion (THD)	< 20%
Voltage Turn-Off (VTO)	40V
Lens & Shell Material	UV Stabilized Polycarbonate
Wiring	16 AWG, Color Coded with Strain Relief 48 in long minimum

¹ Measured at T_a = 25°C for Yellow
² Class A



Product Information

Model Number	Size (in)	AC Voltage Nominal	Power (W) Nominal	Wavelength (nm) Dominant	Maintained Intensity Minimum	# of High Brightness LEDs
DR4-RCFB-03A	8	120V- 60Hz	7	626	262	108
DR4-YCFB-03A	8	120V- 60Hz	13	588	262	108
DR4-GCFB-03A	8	120V- 60Hz	10	500	98	108
DR6-RTFB-03A	12	120V- 60Hz	10	626	320	132
DR6-RCFB-03A	12	120V- 60Hz	10	626	320	132
DR6-YCFB-01A	12	120V-60Hz	25	592	892	196
DR6-GCFB-03A	12	120V- 60Hz	9	500	120	132

Distributed by:

Signal Service Inc.
43 Franklin St.
East Hartford, CT 06109
(860) 289-8033 phone
(860) 289-8035 fax