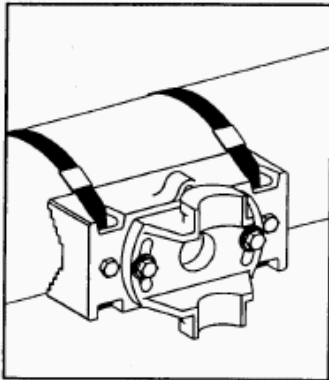


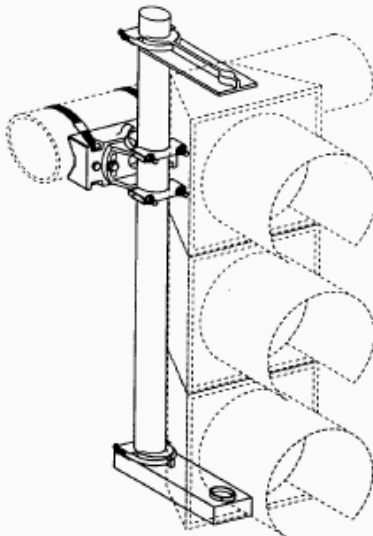
SKY BRACKET®

Mast Arm Hardware

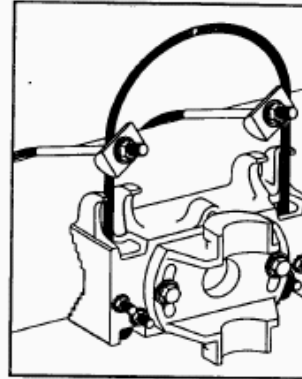
Covered by one or
 U.S. Patents
 Patent 4,880,985



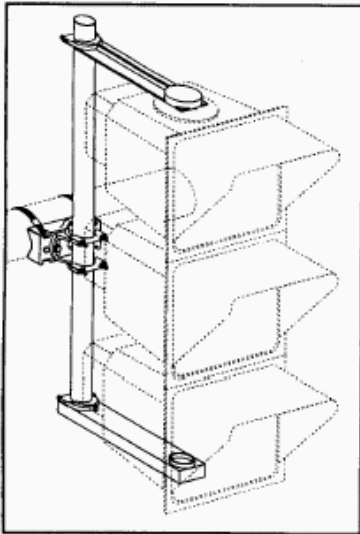
**SB29-SCK -
 STD. CLAMP KIT**



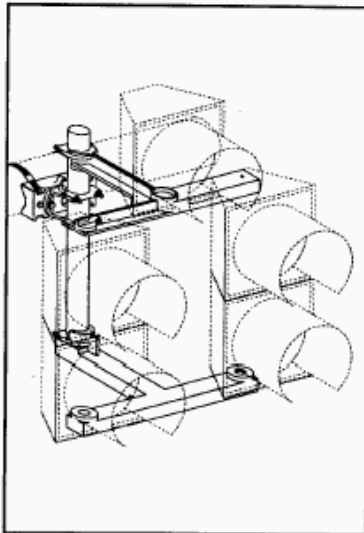
**SB29-46
 STD. 3 SECTION SKY BRACKET**



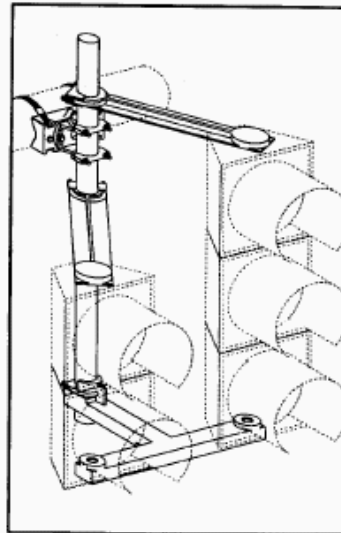
**SBC64-CCK
 CABLE CLAMP KIT**



**SB29-3M-46
 3 SECTION 3M ASSEMBLY**



**SB29-SCB-37
 STD. CLUSTER ASSEMBLY**



**SB29-2WAY-46
 TWO WAY VARIABLE ASSEMBLY**

